

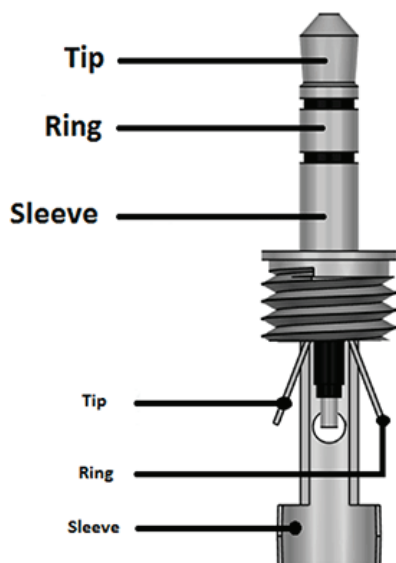
Mini Condenser Mic Cables for Older Model Mobile Devices



Mini condenser microphone with 3.5-mm audio jack cable



This **mini condenser microphone** uses an audio cable with different audio jacks, a **TRS audio jack** and a **TRRS audio jack**. This cable is used with **older model smartphones, tablets, and some computers that have a 3.5-mm audio port**.

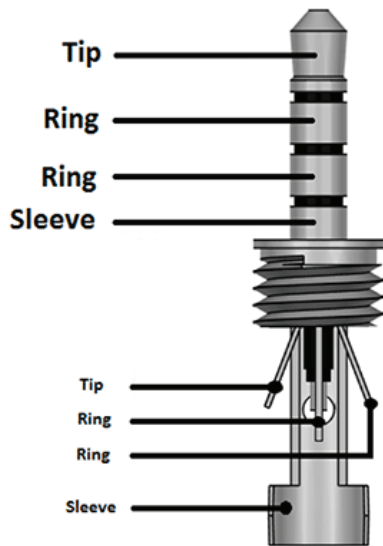


3.5-mm TRS audio jack



(COURTESY OF COMPONENTS101.COM)

The **3.5-mm TRS audio jack** is inserted into the **mini condenser microphone's port**. This jack has three conductors, a **Tip (Mic)**, a **Ring (Audio Out)**, and a **Sleeve (Ground)**. This type of audio jack supports stereo sound and is used with speakers, microphones, and other audio devices.



3.5-mm TRRS audio jack



(COURTESY OF COMPONENTS101.COM)

The **3.5-mm TRRS audio jack** is inserted into the port of **older model smartphones, tablets and some computers**. This jack has four conductors: a **Tip (Left Speaker)**, a **Ring (Right Speaker)**, another **Ring (Mic or Ground)** and a **Sleeve (Mic or Ground)**. The conductors on the **last Ring and Sleeve** may be wired differently on some cables depending on the manufacturer.



A different cable is required when using the **mini condenser mic** with a **video camera**. Most video cameras require an audio cable with a **3.5-mm TRS audio jack** on both ends of the cable.

Art Ruiloba

Video Production Specialist

Department of Innovative Media Research and Extension

aruiloba@nmsu.edu



Be Bold. Shape the Future.
New Mexico State University

aces.nmsu.edu/mediasupport